



PEUGEOT
MOTORCYCLES



PEUGEOT TWEET

Notice d'utilisation

User's manual

Welcome

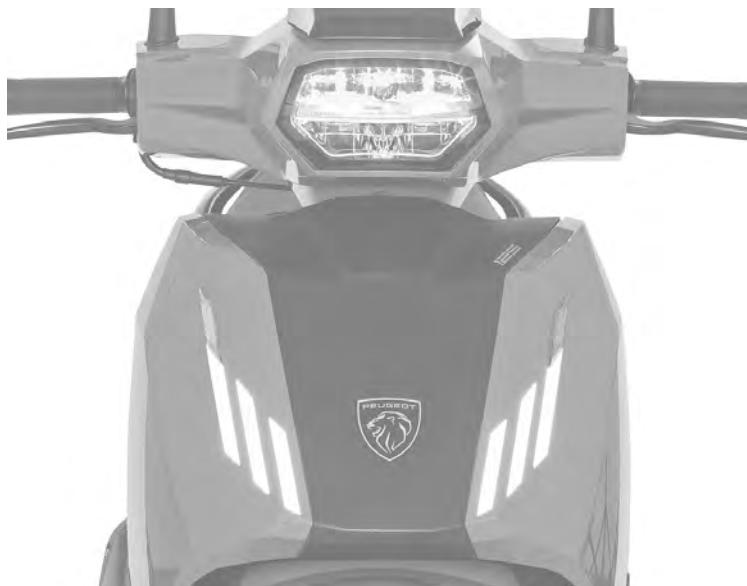


TABLE OF CONTENTS

Information..... 1
 Safety advice..... 1
 Characteristics..... 2
 Vehicle identification.....6
 Products to use..... 6
 Information about the instructions..... 7
 Description of the vehicle.....8
 Controls..... 9
 Left controls9
 Right controls 9
 Instruments.....10
 Digital display.....10
 Warning lights.....13
 Description of the indicators..... 14
 Key-operated ignition switch functions.....15
 Equipments.....15
 Storage compartment.....15
 Circuit breaker.....15
 Adjustment of damper settings..... 15
 Utility hanger.....16
 Lateral stand.....16
 Luggage carrier.....16
 Business vehicle.....16
 Checks to perform before use.....16
 Advice for starting up and driving.....16
 Warning..... 16
 Eco mode.....16
 Driving on flooded roads.....17
 Inspection before setting off.....17
 Starting the engine.....17
 Driving.....17
 Braking.....18
 Stopping the vehicle and parking.....18
 Fuel supply.....18
 Running in the engine.....18

Service operations.....20
 Maintenance advice.....20
 Environment / Recyclable..... 20
 Cleaning the vehicle..... 20
 Spark plug inspection or replacement.....20
 Checking the engine oil level..... 20
 Changing the engine oil.....21
 Draining the relay box..... 22
 Replacing the air filter22
 Throttle cable play..... 22
 Tyres.....23
 Brake inspection..... 23
 Brake fluid.....24
 Battery.....24
 Fuses.....25
 Fuse allocation.....26
 Adjusting the headlight beam..... 26

GB

INFORMATION

You have just bought a Peugeot vehicle.

We would like to thank you for purchasing one of our products.

Please take some time to read this manual carefully before using the vehicle.

This user manual should always be kept in the boot of the vehicle. It contains instructions for use, checks and maintenance of the vehicle, and important safety instructions intended to protect the user and third parties against accidents.

It will give you plenty of advice on how to keep your vehicle in full working order.

Your vehicle is built to last but this does not mean that it does not require a minimum amount of maintenance.

Your authorised dealer is familiar with all the vehicle's characteristics and has genuine spare parts and specific tools. He can advise you and service your vehicle in the best conditions according to the established service schedule to ensure that you can enjoy driving it in complete safety.

This manual must be considered as an integral part of the vehicle and must remain with it even if the vehicle is sold on.

In our permanent concern to make improvements PEUGEOT MOTOCYCLES reserves the right to suppress, modify, or add any reference mentioned. Reproductions or translations, even partial, of this document, are not permitted without the written authorization of PEUGEOT MOTOCYCLES.

SAFETY ADVICE

A inexperienced motorcyclist should make himself completely familiar with his vehicle before going out in traffic. You are strongly advised not to lend your vehicle to an inexperienced rider.

To ride a motorbike, you are required by law to hold a licence or to have completed specific training with a professional, depending on the applicable legislation and based on its category.

Wearing an approved helmet and gloves is obligatory for the user and passenger. You are also advised to wear goggles and light-coloured or reflective clothing adapted to motorcycling.

In some countries, the applicable legislation may not authorise transportation of a passenger, and elsewhere it may oblige motorcycle users to contract a civil liability insurance policy to protect third parties and the passenger against potential damage resulting from an accident.

Driving whilst under the influence of alcohol, drugs or certain medicines is inexcusable and dangerous for yourself and others.

Excessive speed is an important factor in many accidents. You must observe the road signs and signals and adapt your speed to the weather conditions.

The engine and the exhaust system components can reach very high temperatures. When parking your vehicle, be careful to avoid contact with inflammable materials which could cause a fire or with parts of the body which could result in serious burns.

Luggage carriers and panniers approved by PEUGEOT MOTOCYCLES are available as options (depending on the model). The assembly instructions must be complied with and the maximum permissible load (3 to 5 kg depending on the equipment) must not be exceeded.

Fitting accessories such as the driver's apron, top-case, etc. may affect the vehicle's stability (wind factor, load, etc.).

When riding the vehicle fitted with accessories, the driver should reduce speed.

Parking in the sun: The reflection of the sun's rays on the windshield can, at certain times of the day, create a high temperature on the dashboard. This can lead to warping. To prevent this, do not park the vehicle in the sun.

Mounting adaptable parts that have not been approved by PEUGEOT MOTOCYCLES, which alter the technical characteristics or performances of the vehicle is forbidden. Any modification will invalidate the warranty and the vehicle will no longer be in compliance with the version approved by the appropriate services.

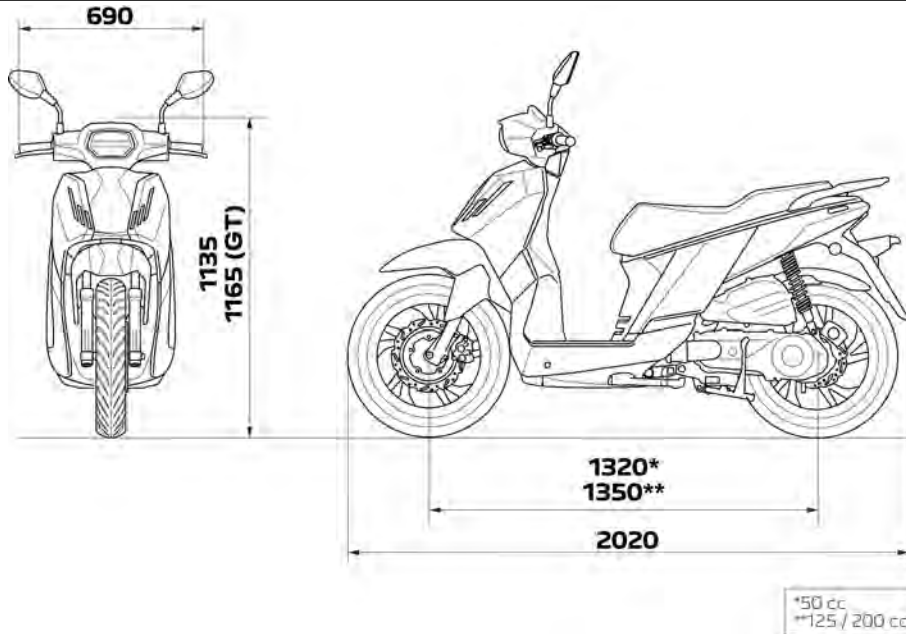
The presence of mist on the inside of the headlight glass is normal. It disappears a few minutes after the lights are switched on.

GB

CHARACTERISTICS

	TWEET 50	TWEET 50 PRO	TWEET 125 ABS	TWEET 125 ABS PRO	TWEET 200 ABS
Official type-approval code	LY1ABA	LY1ABP LY1ABL	LY2ABB	LY2ABR LY2ABM	LY3BBB

Dimensions in mm



Weight in kg

Unladen weight.	104	114	116	122	118
In working order.	107	117	122	129	124
Authorised maximum. Total weight of the vehicle, the user, the passenger, the accessories and luggage.	257	243	272	255	274

GB

	TWEET 50	TWEET 50 PRO	TWEET 125 ABS	TWEET 125 ABS PRO	TWEET 200 ABS
Official type-approval code	LY1ABA	LY1ABP LY1ABL	LY2ABB	LY2ABR LY2ABM	LY3BBB
Engine					
Identification.	XS1P37QMA-3		XS1P52QMI-4A		XS1P61QMK-A
Engine type.	4-stroke single-cylinder. 2 valves.				
Cubic capacity.	50 cc		125 cc		170 cc
Bore x stroke in mm.	37 x 46 mm		52.4 x 57.8 mm		61 x 57.8 mm
Maximum power.	2.2 kW at 8000 rpm		8.4 kW at 8500 rpm		9 kW at 7500 rpm
Maximum torque.	3.0 Nm at 6000 rpm		10.3 Nm at 6500 rpm		12.5 Nm at 6000 rpm
Cooling.	Air cooling				
Fuel supply.	Indirect Electronic Injection (EFI)				
Spark plug.	NGK CR6HSA		NGK CR7HSA		
Lubrication.	Pressurised wet sump lubrication				
Exhaust.	Catalysed and lambda sensor				
Anti-pollution standard.	Euro 5+		Euro 5+		
Consumption ¹ .	2.3 l/100		2.5 l/100		2.7 l/100
CO ² emission.	52 g/km		56 g/km		63 g/km
Capacities in litres					
Engine oil					
• Total capacity	0.8		0.95		
• Periodic oil change	0.65		0.7		
Relay box oil					
• Total capacity	0.18		0.18		
• Periodic oil change	0.17		0.17		
Fuel tank.	5.2	8.1	5.2	8.1	5.2
Fork oil.	0.1 l per tube		0.1 l per tube		

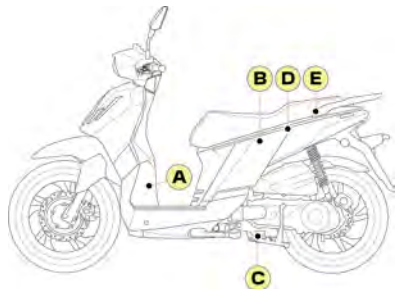
¹ These consumption values are established according to Regulation 134/2014 Appendix VII. They may vary according to driving behaviour, traffic conditions, weather conditions, the load in the vehicle, vehicle maintenance and use of the accessories etc.

		TWEET 50	TWEET 50 PRO	TWEET 125 ABS	TWEET 125 ABS PRO	TWEET 200 ABS
Official type-approval code		LY1ABA	LY1ABP LY1ABL	LY2ABB	LY2ABR LY2ABM	LY3BBB
Tyre dimensions / Standard load index and speed rating						
Front.		90/80 - 16 52P	110/70 - 16 51N	110/70 - 16 52P or 90/80 - 16 51N		110/70 - 16 52P
Minimum load index and speed rating		20B		24J		24J
Rear.		90/80 - 16 52P	110/70 - 16 51N	110/70 - 16 52P or 90/80 - 16 51N		110/70 - 16 52P
Minimum load index and speed rating		48B		49J		49J
Pressure in bars						
Front.	Solo	1.75		1.75		
	Pillion	2.0		2.0		
Rear.	Solo	2.0		2.0		
	Pillion	2.25		2.25		
Suspension						
Front.		30 mm Ø telescopic front fork Travel: 100 mm		30 mm Ø telescopic front fork Travel: 100 mm		
Rear.		Adjustable shock absorber. Travel: 80 mm		2 adjustable shock absorbers. Travel: 75 mm		
Brakes						
Front.		1 Ø226 mm disk		1 Ø260 mm disk		
Rear.		1 Ø226 mm disk Or 1 drum Ø130 mm		1 Ø240 mm disk		

	TWEET 50	TWEET 50 PRO	TWEET 125 ABS	TWEET 125 ABS PRO	TWEET 200 ABS
Official type-approval code	LY1ABA	LY1ABP LY1ABL	LY2ABB	LY2ABR LY2ABM	LY3BBB
Electrical equipment					
Headlights.	LED		LED		
"Side light" bulbs.	LED		LED		
Indicator bulbs.	LED		LED		
Rear light.	LED		LED		
Number plate light.	12V - 5W		12V — 5W		
Battery.	12V - 6Ah Maintenance-free batteries YUASA YTX7A-BS		12V - 6Ah Maintenance-free batteries YUASA YTX7A-BS		

GB

VEHICLE IDENTIFICATION



A. Vehicle identification number (V.I.N.).

B. Manufacturer's plate.

C. Engine number.

D. Tyre pressure label.

The label affixed under the saddle gives the cold tyre pressures when riding alone and with a passenger.



Temperature variations modify tyre pressure.

The tyre pressure must be checked once a month when cold.

E. Fuel identification label.

The label next to the fuel filler cap indicates the type of fuel to use.

Products to use

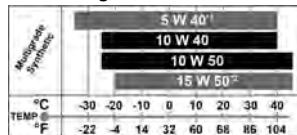
Fuel Exclusively:
Unleaded E5 or E10



Engine oil SAE 10W40 / SAE 10W50

100% synthetic

Minimum grade API SN



* Recommended if:

- ¹ Minimum annual temperature < -20°C
- ² Minimum annual temperature > 0°C

Relay box oil SAE 80W90 API GL4
oil

Fork oil Hydraulic oil SAE10W

Grease High-temperature grease
Multi-use grease

Brake fluid Brake fluid DOT 5.1

MOTUL

INFORMATION ABOUT THE INSTRUCTIONS

Specific information is indicated by the following symbols:



Möbius band
Recyclable.

Means that the product or the package can be recycled.



Explosive

The product may explode upon contact with a naked flame, spark or static electricity, or due to the effect of heat, an impact or friction.

Handle and keep away from heat sources and other causes of sparks.



Flammable

The product may ignite in contact with a naked flame, a spark or static electricity, or due to the effect of heat, friction, in contact with the air or in contact with water, releasing inflammable gases.

Handle and keep away from heat sources and other causes of sparks.



Corrosive

The product is corrosive.

It can attack (corrode) or destroy metals.

Contact with the product or splashes of the product may burn the skin and cause lesions to the eyes. Avoid any contact with the eyes and skin. Do not inhale.



Harmful to health

The product can be poisonous in high doses.

It may irritate the skin, eyes and airways.

It may cause skin allergies.

It may cause drowsiness or dizziness. Avoid all contact with the product.



Toxic or fatal

The product can rapidly be fatal.

It poisons rapidly, even at low doses. Wear protective equipment.

Avoid any contact (oral, skin, inhalation) with the product and wash all exposed areas carefully after use.



Harmful for the environment

The product pollutes.

It has a harmful effect (in the short and/or long term) on organisms in aquatic environments.

Do not dispose of it in the environment.



Do not throw away into a garbage can

One of the product's component is toxic and can be hazardous to environment. Do not throw the used product in the dustbin. Take it back to the trader or to a specific waste disposal site.



People's safety

Operation that can be dangerous for people.

People's safety can be seriously affected if the recommendations are not fully respected.



Important

Operation that can be hazardous to the vehicle.

Indicate the specific procedures that shall be followed in order not to damage the vehicle.



Note

Gives key information concerning operation of the vehicle.

GB

DESCRIPTION OF THE VEHICLE

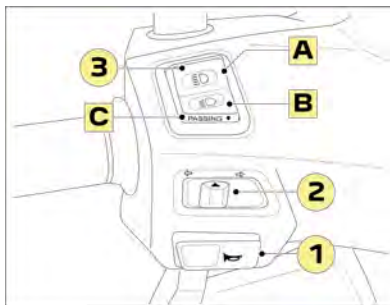
- 1 Instrument panel
- 2 Utility hanger
- 3 Glove box
- 4 Fuel tank
- 5 Grab handle
- 6 Central stand
- 7 Passenger footrests
- 8 Lateral stand
- 9 Left brake lever
- 10 Brake fluid level
- 11 Circuit breaker ¹
- 12 Fuses
- 13 Helmet compartment
- 14 Throttle
- 15 Ignition switch
- 16 Right brake lever
- 17 Battery
- 18 Oil level gauge



¹ Depending on model

CONTROLS

Left controls



1. Horn switch.

2. Indicator light switch.

To indicate a change of direction, press the switch:

- Either to the right.
- Or to the left.

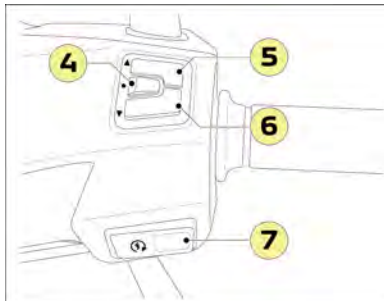
To stop the indicators flashing, press the switch.

3. Dipped lights/Headlights switch.

The dipped lights/headlights switch has 3 functions:

- A. High beam.
- B. Dip beam.
- C. Flashing the lights.

Right controls



4. Selection/"SELECT" validation button.

This control enables:

- Access to the time setting and units of measurement.
- Confirmation of a choice.

5. "UP" control button . ▲

This control enables:

- resetting of the trip recorder / the immediate consumption indicators ¹ (Press and hold for 3 seconds).

6. "DOWN" control button . ▼

This control enables:

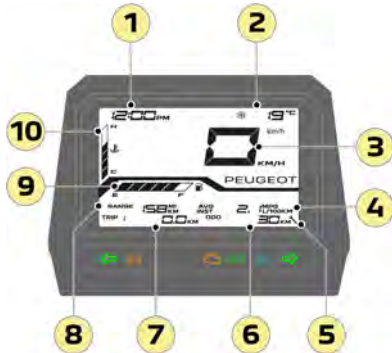
- Resetting of the trip recorder / the immediate consumption indicators ¹ (Press and hold for 3 seconds).

7. Starter switch.

¹ Model TWEET 125 / 200cc

INSTRUMENTS

Digital display



1 - Clock.

Set the clock ([Setting the digital display](#) page 12).

2 - Outside temperature gauge (°C or °F).

The temperature shown is that read on the front of the vehicle.



The "risk of black ice" symbol comes on as soon as the temperature falls below 3°C.

3 - Digital speedometer (km/h or mph).

4 - Average consumption indicator (AVG) / Instantaneous consumption indicator (INST)¹.

- The average consumption indicator indicates the fuel consumption from the last daily counter reset.
- The instantaneous consumption indicator displays the amount of fuel consumed in the last few seconds.

Press briefly on the UP or DOWN button to switch between the average consumption indicator and the instantaneous consumption indicator.

Reset the average consumption indicator:

- Press and hold the UP or DOWN button for more than 3 seconds to reset the average consumption indicator to zero.

The day counter displayed is also reset to zero.

5 - Maintenance indicator.

- Each time the ignition is switched on, the display indicates the mileage remaining before the next service.
- When the kilometres to maintenance reaches zero, the maintenance symbol remains lit on the display.

Maintenance frequency (Default value)

5000 km



This period does not include the first inspection at 500 km and concerns normal servicing. See service book for harsh-use servicing.

• Maintenance counter reset.

- With the ignition off, press and hold the DOWN button then switch on the ignition. The maintenance counter flashes.
- Release the DOWN button.
- Press and hold the DOWN button for more than 3 seconds to switch off the maintenance symbol and reset the maintenance counter to zero.
- Turn off the ignition.



You are advised to go to an authorised dealer to have the vehicle serviced and the message on the maintenance indicator erased.

• Choice of maintenance interval (Consult the maintenance manual).

- With the ignition off, press and hold the DOWN button then switch on the ignition. The maintenance counter flashes.
- Release the DOWN button.

¹ Model TWEET 125 / 200 cc

- Select the maintenance interval by pressing briefly on the UP or DOWN buttons.
- Press and hold the DOWN button for more than 3 seconds to confirm the setting.
- Turn off the ignition.

Available maintenance intervals
2500 km
3000 km
5000 km (Default value)
10000 km

6 - Milometer / Engine oil level control indicator.

- The tripmeter displays and stores the number of kilometres travelled by the vehicle. The machine total kilometres remains in the memory when the battery is disconnected.
- Every 1000 km (600 Mi), the message OIL ch appears along with the maintenance indicator on the digital display, indicating that the engine oil level should be checked ([Checking the engine oil level](#) page 20).

✓ The oil level control indicator disappears after the vehicle has traveled 2 km.

7 - Tripmeter (TRIP 1 / TRIP 2).

- The day counters display and save the number of kilometers traveled during a given period.
- Press briefly on the UP or DOWN button to switch from TRIP 1 to TRIP 2.

Resetting the tripmeter:

- Display the day counter to be reset (TRIP 1 or TRIP 2).
- Press and hold the UP or DOWN button for more than 3 seconds to reset the day counter to zero.

The average consumption counter is also reset to zero .

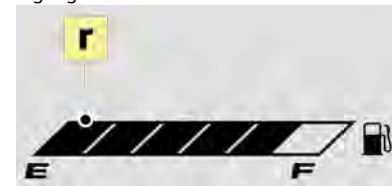
8 - Autonomy indicator¹.

- The autonomy indicator displays the number of kilometers that can be traveled with the fuel remaining in the tank (depending on the average consumption of last kilometres travelled).

✓ This figure may vary following a change in driving or in the relief, resulting in a significant variation in instantaneous consumption.

9 - Fuel gauge.

When the fuel tank is full all the segments of the fuel gauge are lit.



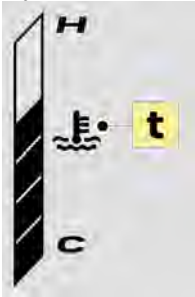
The final segment (r) is the reserve indicator. When the reserve level is reached, the last segment flashes, as well as the fuel pump icon. This indicates that there is approximately 1 liter of fuel remaining.

✓ Fill the tank as soon as possible to prevent a breakdown.

¹ Model TWEET 125 / 200 cc

10 Engine temperature gauge.

- The high temperature alert is indicated when all segments are flashing, along with the "temperature" symbol (t).



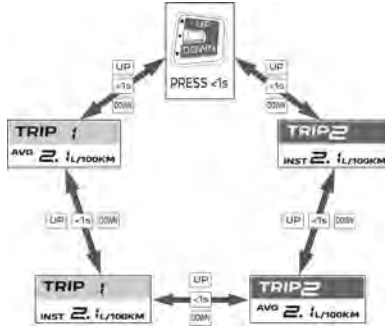
You are advised to switch off the engine and check the coolant level after it has cooled down. If the level is correct, have the vehicle checked by an approved dealer.



The presence of mist on the inside of the instrument panel is normal. It disappears a few minutes after the lights are switched on.

Scrolling order of the counters

Press briefly on the UP or DOWN buttons to scroll through the different counters.



Setting the digital display

The following settings are available:

- Distance and temperature units of measurement.
- Clock and time format.

Procedure:

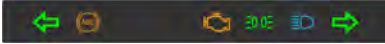
- Turn on the ignition.
- Press and hold the SELECT button for more than 3 seconds: the unit symbols flash.
- Change the units by pressing briefly on the UP or DOWN buttons.
- Press and hold the SELECT button for more than 3 seconds to confirm this selection and move on to setting the clock format.
- Select the format by pressing briefly on the UP or DOWN buttons (12 hr / 24 hr).
- Press and hold the SELECT button for more than 3 seconds to confirm this selection and move on to the clock setting.
- The hour digits flash: press the UP or DOWN buttons briefly to change the setting.
- Press and hold the SELECT button for more than 3 seconds to confirm this selection and move on to setting the minutes.
- The minute digits flash: press the UP or DOWN buttons briefly to change the setting.
- Press and hold the SELECT button for more than 3 seconds to confirm the settings.
- Turn off the ignition.

Warning lights

The warning lights inform the driver of the start-up of a system or appearance of a malfunction.

- On ignition, some warning lights are displayed for a few seconds.
- Once the engine is started, these warning lights will disappear.

If they remain on, use the table to check the relevant warning light before driving off.






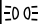


TWEET 125/200 cc: The ABS system ON warning light disappears when the vehicle starts to move.



In all cases, you are advised to have the vehicle checked by an approved dealer.

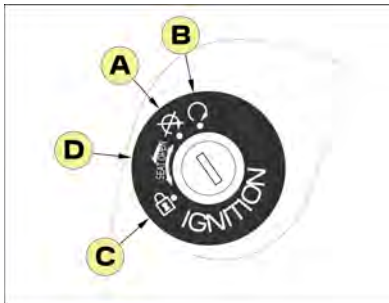
For further information concerning the indicator lights, please consult the table in the relevant section.

DESCRIPTION OF THE INDICATORS

Indicator	Status	Cause	Actions / Observations
 Left indicators	Flashing	The indicator control is activated to the left	If the warning light flashes quickly, there is a fault in the direction indicators
 Wheel anti-lock system (ABS) ¹	Fixed	The ABS system is faulty	The vehicle has a standard braking system. Drive carefully at moderate speed and have the vehicle checked by an authorised dealer.
 Malfunction warning light for the antipollution system / Engine self-diagnostic	Fixed	The anti-pollution system is faulty	The engine power may be limited You are advised to have the vehicle checked by an authorised dealer
	Flashing	The engine control system is faulty	You are advised to have the vehicle checked by an authorised dealer
 Daytime running lights	Fixed	The daytime running lights are switched on	
 High beam	Fixed	The lighting control is in the "main-beam headlamps" position	
 Right indicators	Flashing	The indicator control is activated to the right	If the warning light flashes quickly, there is a fault in the direction indicators

¹ Model TWEET 125/200 cc

KEY-OPERATED IGNITION SWITCH FUNCTIONS



- A. Engine off position**
The engine is off. Power to the electrical circuit is off. The key can be removed.
- B. On position**
Power to the electrical circuit is on. The engine can be started. The key cannot be removed.
- C. Steering unlocked**
Power to the electrical circuit is off. The handlebars must be turned to the left, while the key must be simultaneously pushed in and turned to the left. The key can be removed.
- D. Opening the storage compartment**
Turning the key to this position unlocks the saddle.

EQUIPMENTS

Storage compartment

- Insert the key into the ignition switch, then turn it anti-clockwise to the SEAT OPEN position to unlock the seat.
- Lift the seat to access the compartment.

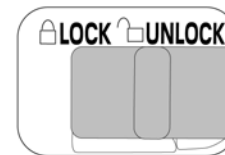


You are advised not to leave any objects in the storage compartments, whatever the value (helmet, document-holder, etc.), the manufacturer may not be held liable in the event of theft or intrusion.



Do not exceed the maximum load for the compartment, which is 5 kg. The seat compartment heats up as the engine heats up. Do not store food, flammable products or any products likely to be damaged by heat in the compartment. As water can get into the compartment during washing or periods of heavy rain, you are advised to wrap in a bag any items to be stored in the compartment. Do not store items that are too bulky in the compartment, as you risk damaging the items or the seat and its hinge.

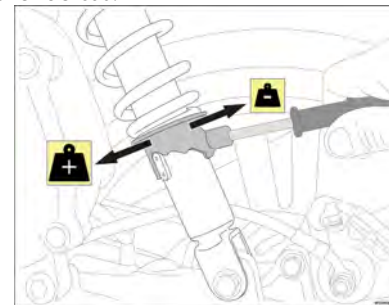
Circuit breaker



A switch neutralising the ignition circuit is located in the compartment under the saddle.¹ LOCK position. The engine shall not start. UNLOCK position. The engine can be started.

Adjustment of damper settings

Each damper has an adjuster ring that can be used to stiffen or soften the suspension, depending on the vehicle load.



Use the on-board tool to make this adjustment.

¹ Depending on model



To guarantee your comfort and safety, always adjust the damper preload in line with the vehicle load.
TWEET 125/200 cc: Perform the same setting for the 2 dampers.

Utility hanger

The utility hanger is located on the rear shield panel. It can be used to attach a maximum load of 2.5 kg.

Lateral stand

The lateral kickstand is fitted with an ignition cut-out which prevents the engine from being started while the stand is down.

This system reminds the driver to lift the stand before starting the engine.

If the engine starts with the kickstand down, it is essential to have the circuit checked by an approved dealer.

Luggage carrier

The rear luggage carrier can bear a maximum load of 7 kg.



To not place luggage on it that is too bulky and may impair the lighting and steering.

Do not exceed the maximum recommended load for each luggage carrier.

Attach luggage firmly to the vehicle, even over a short distance.

Business vehicle

The rear luggage carrier can bear a maximum load of 35 kg.

CHECKS TO PERFORM BEFORE USE

The user must personally ensure that his vehicle is in good condition. Certain safety elements may show signs of damage even when the vehicle is not used. e.g. prolonged exposure to bad weather can lead to oxidation in the braking system or a pressure drop in the tyres which can have serious consequences. In addition to a simple visual inspection, it is extremely important to check the following points before use.



These checks only take a few minutes and help to keep your vehicle in good condition, for optimum use combining reliability and safety.

If one of the elements in the checklist does not work properly, ask your registered dealer to check it and have it repaired if necessary before using the vehicle.

ADVICE FOR STARTING UP AND DRIVING

Warning

Before using the vehicle for the first time, make sure you are familiar with all the controls and their respective uses. If you are not sure about the functions of any of the controls, your registered dealer can answer your questions and give you any help you may require.



As exhaust fumes are toxic, the engine must be started in a well-ventilated area. It must never be allowed to run in a closed space, even for a short time.

Eco mode

Adopt smooth driving behaviour

- Turn the acceleration handle gradually, not suddenly.
- Anticipate braking using the engine brake.
- Limit the vehicle load as well as aerodynamic resistance.
- Regularly check the inflation pressure in your tyres, and refer to the label under the seat.
- Avoid heating up the engine while stationary: the engine heats quicker when you drive.
- Have your vehicle serviced according to the manufacturer's maintenance plan.

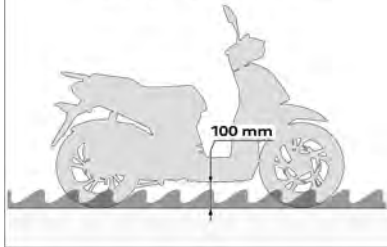
These attitudes contribute to economising fuel consumption, reducing CO² emissions and alleviating the background sound of traffic.

Driving on flooded roads



You are strongly advised not to drive on flooded roads as this may seriously damage the engine, transmission and electrical systems on your vehicle.

10 km/h - 6 mph MAX



If you cannot avoid driving through flood water:

- Check that the water depth does not exceed 100 mm, taking into account waves which could be generated by other road users.
- Under no circumstances exceed a speed of 10 km/h.
- Once out of the flooded area, brake gently several times to dry out the brakes as soon as the safety conditions allow it.

Inspection before setting off

Component	Checks
Fuel	<ul style="list-style-type: none"> • Check the fuel level in the tank. • Top up with fuel if necessary. • Check that there is no fuel leak.
Engine oil	<ul style="list-style-type: none"> • Check the level of the engine oil. • If necessary, top up with the recommended oil.
Disk brakes	<ul style="list-style-type: none"> • Check brake operation. • Have an approved dealer check them if they feel soft. • Check brake pad wear. • Check the level of brake fluid in the reservoir.
Drum brakes ¹	<ul style="list-style-type: none"> • Check brake operation. • If necessary adjust the control. • Check the wear on the brake linings. • Correct if necessary.
Lighting, signalling, indicators, horn	<ul style="list-style-type: none"> • Check operation. • Correct if necessary.
Wheels and tyres	<ul style="list-style-type: none"> • Check the tyre wear and condition. • Check the tyre pressures cold. • Correct if necessary.
Throttle	<ul style="list-style-type: none"> • Check the throttle handle turns smoothly and returns correctly to its starting position.
Steering	<ul style="list-style-type: none"> • Check the free rotation of the steering.

¹ Depending on model.

Component	Checks
Stand	<ul style="list-style-type: none"> • Check that the central and side stands can be unfolded smoothly. • Check the engine speed limitation function when the side stand is unfolded.

GB

Starting the engine

For greater safety, place the vehicle on its central stand before starting the engine.



Ensure that the switch under the saddle is in position UNLOCK.

- Turn the ignition key to "ON".
- Ensure that the throttle is in the OFF position.
- Press one of the brake levers while pressing the starter button. Do not press the starter for more than 10 seconds.
- Release the starter button as soon as the engine starts.



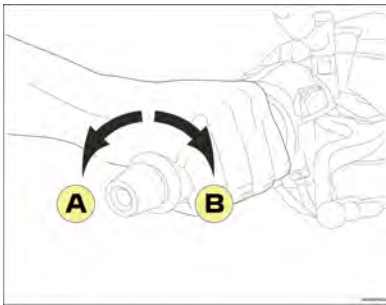
If the engine does not start, release the starter button and the brake lever, wait a few seconds and try again.

Driving

Starting off

- The vehicle is on its stand with the engine running.
- Squeeze the brake lever with your left hand, grip the grab handle with your right hand and push the vehicle forwards to fold up the central stand.
 - Sit on the vehicle.
 - Release the left brake and turn the throttle slowly with your right hand to start moving.

Accelerating and decelerating



To accelerate, turn the throttle towards (A). To slow down, turn the throttle towards (B).

Braking

TWEET 50 cc: Conventional braking

The right lever controls the front brake and the left lever controls the rear brake.



Using only one brake reduces braking efficiency and can lock the wheel, causing a fall.

Avoid braking suddenly on wet roads or in bends.

Reduce speed on steep slopes to avoid prolonged braking, as overheating will reduce braking efficiency.

TWEET 125 cc / TWEET 200 cc: ABS braking system

This is a wheel anti-lock system.

- The ABS system enables the rider to retain control of the vehicle when braking in slippery conditions.
- The right lever controls the front brake and the left lever controls the rear brake.

Use of the brakes

- Close the throttle.
- Activate the brake system by gradually increasing the pressure.



Avoid braking suddenly on wet roads or in bends.

Reduce speed on steep slopes to avoid prolonged braking, as overheating will reduce braking efficiency.

Stopping the vehicle and parking

The engine is switched off when at idling speed by turning the ignition key to "OFF".

The vehicle should be parked on flat ground.

- Either on the middle stand.
- Or on the lateral stand.

Each time the vehicle is parked, the steering should be locked and the ignition key removed. The ignition circuit can be neutralised by setting the switch under the saddle to "LOCK".

Fuel supply



The engine must be switched off in order to fill the fuel tank in complete safety.

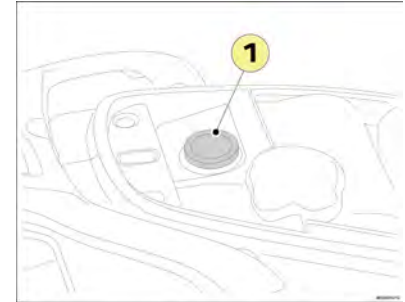
A label affixed near the fuel cap reminds you of the type of fuel to use.



Any fuel containing up to 10% ethanol can be used (E5, E10).

An ethanol content of more than 10% by volume is not permitted. E85 must not be used.

The fuel tank is located under the saddle.



1. Fuel tank cap.

- Insert the petrol pump nozzle into the filling orifice. Make sure the nozzle is correctly inserted into the filling pipe.
- Do not overfill the tank.
- Stop filling when the nozzle stops for the first time.



Do not fill the fuel tank to excess: The fuel may expand due to the engine heat or heat from the sun and overflow.



Any overflows must be wiped up immediately. The fuel could actually damage painted surfaces or plastic parts.

Running in the engine

Running in the engine is essential to guarantee its performance and lifetime.

During the running-in period, you are advised not to overload the engine and to avoid exceeding a higher than normal operating temperature.

From 0 to500 km:	<ul style="list-style-type: none">• Do not hold the throttle handle open at more than half its distance of travel over a long trip.
From 500 to1000 km:	<ul style="list-style-type: none">• Do not hold the throttle handle open at more than 3/4 its distance of travel over a long trip.

Once this mileage has been done, the vehicle can be used normally.

SERVICE OPERATIONS

Maintenance advice

A table of maintenance plan checks is included in the welcome and maintenance booklet; the approved dealer must affix its stamp, the date of the service and the mileage of the vehicle.

The frequencies indicated in the periodic maintenance table are provided for driving under normal conditions. The owner must therefore adapt the recommended frequencies and possibly shorten them depending on how often the vehicle is used (Commercial use, couriers, climate, geographical location etc.).

If you are not familiar with maintenance techniques, and in order to maintain the maximum safety and reliability of your vehicle, you are advised to have maintenance and repairs be carried out by an approved dealer who has the technical training, specific tools and spare parts.



Ensure that the servicing schedule for your vehicle is strictly followed to maintain your contractual warranty rights.

Environment / Recyclable

Worn parts replaced during routine maintenance (mechanical parts, battery, etc.) must be disposed of with specialised bodies.

At the end of its life, the vehicle must be taken to an authorised centre for recycling.

In all cases, comply with the local laws.



Batteries contain harmful substances. They must be disposed of according to the legal requirements and must under no circumstances be thrown away in the household waste.

Cleaning the vehicle



The bodywork is made of plastic parts that can be painted or are shiny. Do not use solvents or cleaning products that are too corrosive.



Do not use high pressure cleaners which may cause water to infiltrate the following parts: seals, bearings and hinges, electrical components such as connectors, contactors and lighting.

Wash the bodywork with soapy water and rinse with generous amounts of clear water.

The vehicle can be dried with a chamois leather. After washing the vehicle, brake several times at low speed to dry out the brakes.



The vehicle should be washed in a place equipped for wastewater collection.

Certain silicon-based products can alter the quality of the paintwork. In case of need or doubt, a registered dealer can advise you on using cleaning products or restoring scratched bodywork.

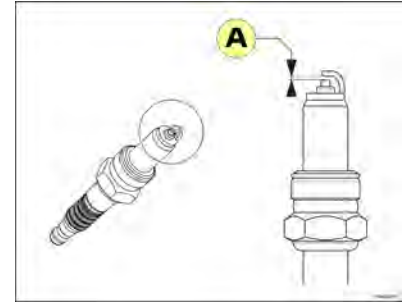
Spark plug inspection or replacement



It is essential to use a resistive spark plug suppressor and a resistive spark plug in accordance with the manufacturer's recommendations.

The engine must be cold.

- Remove the spark plug access hatch.
- Remove the saddle storage compartment.
- Disconnect the suppressor.
- Remove the spark plug.
- Measure the distance between the electrodes and correct it if necessary (A).



Electrode gap		0.7 to 0.8 mm
Spark plug	50 cc	NGK CR6HSA
	125/200 cc	NGK CR7HSA

- Fit and screw in the spark plug manually.
- Tighten the spark plug with a spanner.
 - 1/8 - 1/4 turn for a reused spark plug.
 - 1/2 turn for a new spark plug.



Ensure the suppressor is correctly clipped onto the spark plug. Have the torque quickly checked by a registered dealer.

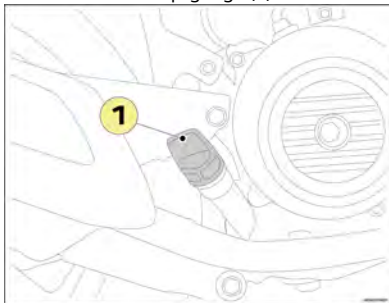
Checking the engine oil level



Check the oil level every 1000 km / 600 Mi or before a long journey.

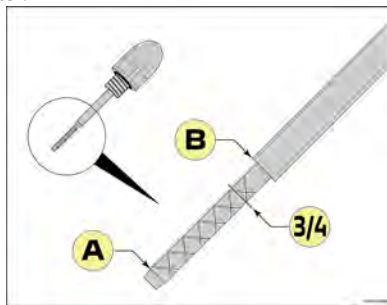
To correctly measure the oil level, place the vehicle on the centre stand on flat ground.

- Start the engine, let it run for a few minutes and then stop it.
- After switching off the engine, wait for 5 minutes to allow the engine oil time to return to the oil sump.
- Remove the oil filler cap/gauge (1).



- Wipe the filler cap/gauge using a clean cloth and reinsert it into the filler hole without screwing it up.

- Remove the filler cap/gauge and check the oil level.
- The oil level shall be between the minimum (A) and maximum (B) level marks without exceeding the latter.



- If the oil level is close to the minimum mark or lower, you are advised to immediately top up the level to 3/4 in small amounts using the oil recommended by the manufacturer.



Too much oil will noticeably restrict the vehicle's performance.

Changing the engine oil



We advise you to go to a registered dealer for draining.

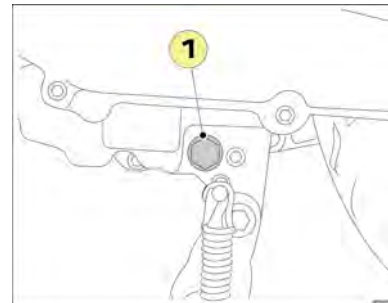


Oil contains substances which are harmful to the environment. Your dealer is equipped to dispose of used oil without endangering the environment and in compliance with current standards.

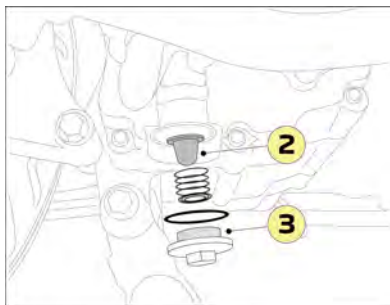
Engine oil	
50 cc	0.65 l at oil change
125/200 cc	0.7 l at oil change
SAE 10W40 / SAE 10W50 100% synthetic Minimum API SN quality	
	5 W 40 ¹
	10 W 40
	10 W 50
	15 W 50 ²
TEMP °C	-30 -20 -10 0 10 20 30 40
°F	-22 -4 14 32 60 68 85 104
* Recommended if:	
1 Minimum annual temperature < -20°C	
2 Minimum annual temperature < 0°C	

GB

The engine must be drained when it is warm to allow the oil to run easier.



- Place the vehicle on its central stand on flat ground.
- Put on protective gloves.
- Remove the drainage cap and its seal (1) and allow the oil to drip into a recipient.



- Remove the strainer cap (2) and clean the strainer (3).
- Put back the drainage cap and strainer cap, fitted with a new seal.
- Pour the required quantity of oil corresponding to the manufacturer's standards into the filler hole.
- Start the engine and let it run for a short while.
- Add oil if necessary.
- Check that the oil drain plug is sealed.

Draining the relay box

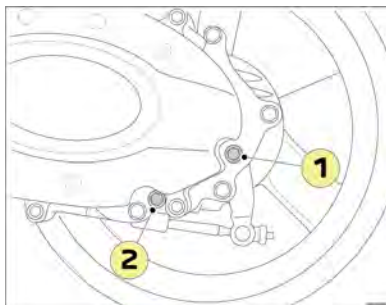


We advise you to go to a registered dealer for draining.



Oil contains substances which are harmful to the environment. Your dealer is equipped to dispose of used oil without endangering the environment and in compliance with current standards.

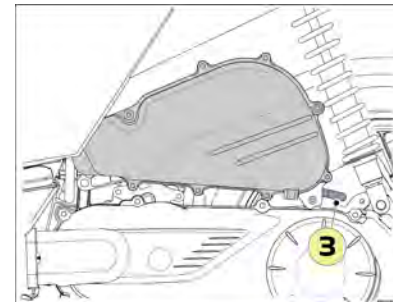
The gearbox must be drained when the engine is warm so that the oil will run easier.



- Place the vehicle on its central stand on flat ground.
- Place a container under the drain port.
- Remove the relay box filler cap (1).
- Remove the drain plug (2).
- Re-install the plug with a new seal.
- Pour the required quantity of oil corresponding to the manufacturer's standards into the filler hole.
- Fit the filler cap.

Relay box	SAE 80W90 API GL4
Quantity	0.17 l at oil change

Replacing the air filter

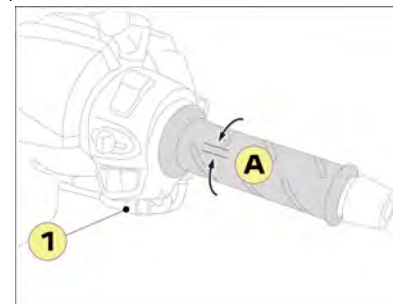


- Remove the air filter cover.
- Remove the air filter.
- Clean inside the air filter box.
- Fit a new air filter.
- Re-fit the cover.
- Remove the oil vapour return drain plug to let humidity and oil drip out (3).

Throttle cable play

Throttle play must be between 3 and 5 mm at the handle (A).

If play is not correct, use the setting screw to adjust it (1).

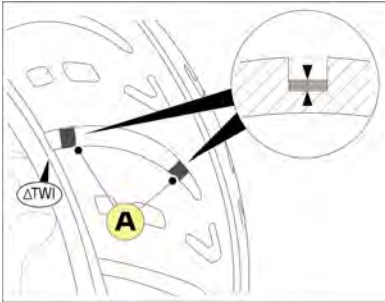


Tyres

Tyre pressure should be cold-checked regularly. Incorrect pressure causes abnormal wear and affects road behaviour, thus making driving dangerous.

Cold inflation pressure (bar)		
Front	Solo	1.75
	Pillion	2.0
Rear	Solo	2.0
	Pillion	2.25

If the wear limit on the tread is reached (A), you are advised to go to a registered dealer to change the tyres.



When replacing tyres, you are advised to mount tyres of the same brand and equivalent quality. In case of puncture, it is forbidden to mount an inner tube in a tubeless tyre.



Tyres contain substances that are harmful to the environment. Your dealer is equipped to dispose of used tyres without endangering the environment in compliance with current standards.

Brake inspection

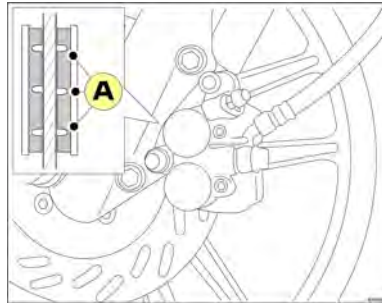


We advise you to visit a registered dealer for the replacement of these components.

Each brake pad is equipped with wear indicators. The indicators enable you to check the wear on the pads without having to disassemble the brake.

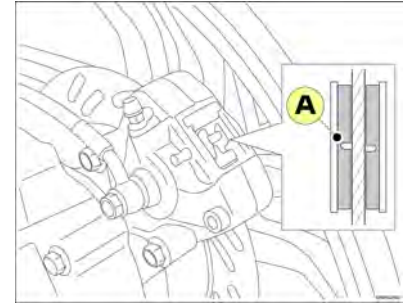
- Check the wear on the pads by verifying the position of the wear indicators while depressing the brake. If a brake pad is worn to the point that the indicator touches the brake disk, have the pair of brake pads replaced by an approved distributor.

Front brake pads



Brake pad wear indicators (A).

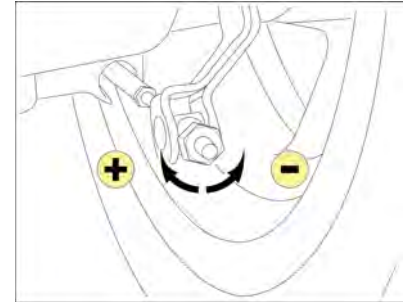
Rear brake pads



Brake pad wear indicators (A).

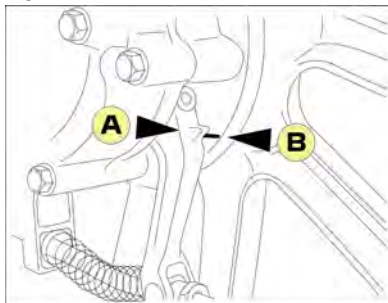
Rear brake lining wear ¹

When it is no longer possible to adjust the control tension nut, the brake pads are worn.



¹ Depending on model.

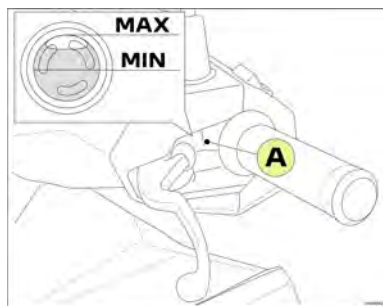
- Actuate the brake control lever and check the position of the wear mark on the cam tierod (A) compared to the mark (B) on the engine housing.
- If the cam tierod mark is aligned or with the wear mark or exceeds it, the brake linings must be changed.



Brake fluid



The brake fluid levels must be checked regularly through the braking unit inspection window (A). If the level is close to the minimum mark, we advise you to go to a registered dealer to have the braking system checked and topped up if necessary.



Battery



Make sure you check that the battery is disconnected before performing any operations on it.



Battery power leads must never be disconnected while the engine is running. To avoid damage to the electronic circuit, do not charge the battery if it is connected to the vehicle.



The sulphuric acid contained in the battery electrolyte can cause serious burns. Avoid all contact with the skin, eyes or clothing and always protect your eyes when working near the battery.



In case of leakage, you are advised to consult a registered dealer who is equipped to replace and dispose of batteries without endangering nature and the environment.



A battery produces explosive gases. Keep the battery away from sparks, flames, cigarettes, etc. It should be charged in a well-ventilated area.

Extended periods of immobilisation and storage



If the vehicle is not used for an extended period, the battery will slowly discharge naturally or due to its electronics or certain accessories and must thus be regularly charged.

If the vehicle is not used for a period of 1 month or longer, the battery charge must be preserved.

- Using a maintenance charger (if the vehicle is not used for a long period).
- If not, by disconnecting it from the vehicle (if the vehicle is not used for a period of less than 2 months).



If these recommendations are not followed, the battery may go into deep discharge. In this case the manufacturer's warranty will be void.

Battery charge



A battery produces explosive gases. Keep the battery away from sparks, flames, cigarettes, etc. It should be charged in a well-ventilated area.



The battery must be charged in a well-ventilated area with a suitable charger that can feed a tenth of the battery capacity to avoid premature destruction. You are therefore advised to go to a registered dealer to carry out this operation.

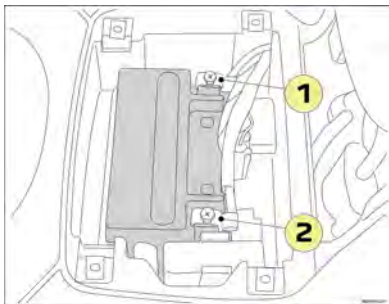


To avoid any risk of destruction of an electrical component, you are strongly advised not to use a booster charger to start the vehicle.

- Disconnect and remove the battery.
- Charge the battery to 100% beforehand.
- Use a maintenance charger or charge monthly.
- Before restarting, the battery must be charged to 100%.

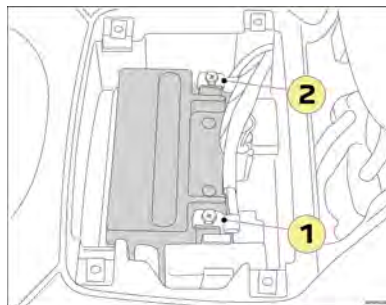
Removal of the battery

- Remove the battery cover.
- Disconnect the battery in the following order:
 1. The negative terminal.
 2. The positive terminal.



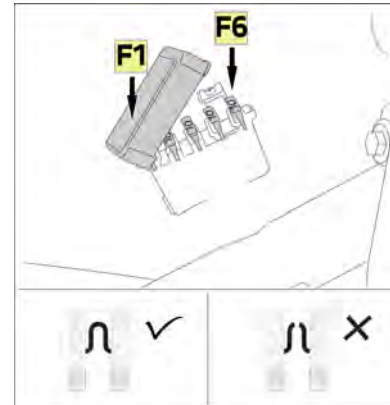
Installing the battery

- Connect the battery in the following order:
 1. The positive terminal.
 2. The negative terminal.



Fuses

The fuses are accessed by removing the saddle storage compartment (fuses from F1 to F6). Find the faulty fuse by looking at the condition of its filament.



If a fuse often blows this is usually a sign of a short circuit in the electrical circuit. You are advised to have the system checked by a registered dealer.

Before changing a fuse, you must find the reason for the fault and correct it.

Always replace the faulty fuse with a fuse of the same rating.



You are advised to switch off the ignition before changing a fuse and always to replace it with a fuse of the same rating. If you do not do so, this may lead to damage in the electrical circuit or even a fire.

Fuse allocation

TWEET 50cc

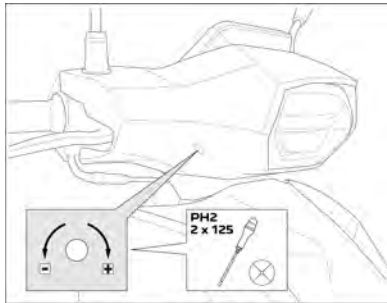
F1 20A	Main fuse
F2 15A	Injection system
F3 10A	+ after the ignition / Lighting
F4 10A	Lighting

TWEET 125/200 ABS

F1 25A	ABS
F2 20A	Main fuse
F3 15A	Injection system
F4 10A	+ after the ignition
F5 15A	Lighting
F6	Free

Adjusting the headlight beam

- The headlight beam is adjusted using a screw on the right side of the vehicle.



✓ So as not to disturb other road users, the headlight must be set by height, depending on the vehicle load.

Peugeot Motocycles recommends



Quality management system certified ISO
9001 by UTAC



Peugeot Motocycles SA
Rue du 17 Novembre
F-25350 Mandeure

Tél. +33(0)3 81 36 80 00

RCS Belfort B 875 550 667

www.peugeot-motocycles.fr
www.peugeot-motocycles.com



Dans un souci constant d'amélioration Peugeot Motocycles se réserve le droit de supprimer, modifier ou ajouter toutes références citées.
DQ/APV du 02/2024 (photos non contractuelles).



PEUGEOT MOTOCYCLES



Guide d'utilisation en ligne
Online user's guide