



BY PEUGEOT



KISBEE
KEEP IT SIMPLE.

S

KISBEE S
KISBEE S NAKED



NOTICE D'UTILISATION
WELCOME & MAINTENANCE BOOKLET

Welcome

GB



TABLE OF CONTENTS

Information..... 1
 Safety advice..... 1
 Characteristics..... 2
 Vehicle identification..... 5
 Products to use..... 5
 Information about the instructions..... 5
 Description of the vehicle..... 7
 Instruments..... 8
 Controls..... 9
 Key-operated ignition switch functions..... 10
 Equipments..... 10
 Checks to perform before use..... 10
 Advice for starting up and driving..... 11
 Warning..... 11
 Eco mode..... 11
 Driving on flooded roads..... 11
 Inspection before setting off..... 11
 Starting the engine..... 12
 Driving..... 12
 Braking..... 12
 Fuel supply..... 12
 Running in the engine..... 13
 Switching off the engine and parking..... 13
 Service operations..... 13
 Maintenance advice..... 13
 Environment / Recyclable..... 13
 Cleaning the vehicle..... 13
 Spark plug inspection or replacement..... 14
 Checking the engine oil level..... 14
 Changing the engine oil..... 15
 Draining the relay box..... 15
 Replacing the air filter..... 16
 Throttle cable play..... 16
 Tyres..... 16
 Brake inspection..... 17

Battery..... 17
 Fuses..... 19
 Bulb replacement..... 19
 Headlight adjustment..... 20

GB

INFORMATION

You have just bought a Peugeot vehicle.

We would like to thank you for purchasing one of our products.

Please take some time to read this manual carefully before using the vehicle.

This user manual should always be kept in the boot of the vehicle. It contains instructions for use, checks and maintenance of the vehicle, and important safety instructions intended to protect the user and third parties against accidents.

It will give you plenty of advice on how to keep your vehicle in full working order.

Your authorised dealer is familiar with all the vehicle's characteristics and has genuine spare parts and specific tools. He can advise you and service your vehicle in the best conditions according to the established service schedule to ensure that you can enjoy driving it in complete safety.

This manual must be considered as an integral part of the vehicle and must remain with it even if the vehicle is sold on.

PEUGEOT MOTOCYCLES is constantly improving its vehicles. It therefore reserves the right to remove, modify or add any reference mentioned.

SAFETY ADVICE

A inexperienced motorcyclist should make himself completely familiar with his vehicle before going out in traffic. You are strongly advised not to lend your vehicle to an inexperienced rider.

To ride a motorbike, you are required by law to hold a licence or to have completed specific training with a professional, depending on the applicable legislation and based on its category.

Wearing an approved helmet and gloves is obligatory for the user and passenger. You are also advised to wear goggles and light-coloured or reflective clothing adapted to motorcycling.

In some countries, the applicable legislation may not authorise transportation of a passenger, and elsewhere it may oblige motorcycle users to contract a civil liability insurance policy to protect third parties and the passenger against potential damage resulting from an accident.

Driving whilst under the influence of alcohol, drugs or certain medicines is inexcusable and dangerous for yourself and others.

Excessive speed is an important factor in many accidents. You must observe the road signs and signals and adapt your speed to the weather conditions.

The engine and the exhaust system components can reach very high temperatures. When parking your vehicle, be careful to avoid contact with inflammable materials which could cause a fire or with parts of the body which could result in serious burns.

Luggage carriers and panniers approved by PEUGEOT MOTOCYCLES are available as options (depending on the model). The assembly instructions must be complied with and the maximum permissible load (3 to 5 kg depending on the equipment) must not be exceeded.

Fitting accessories such as the driver's apron, top-case, etc. may affect the vehicle's stability (wind factor, load, etc.).

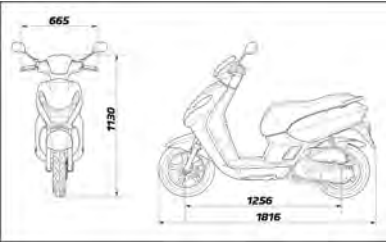
When riding the vehicle fitted with accessories, the driver should reduce speed.

Mounting adaptable parts that have not been approved by PEUGEOT MOTOCYCLES, which alter the technical characteristics or performances of the vehicle is forbidden. Any modification will invalidate the warranty and the vehicle will no longer be in compliance with the version approved by the appropriate services.

GB

CHARACTERISTICS

GB

	KISBEE S NAKED 10"	KISBEE S NAKED 12"	KISBEE S 45 km/h	KISBEE S 25 km/h
Official type-approval code	K1AARA	K1AARA	K1AAPA	K1ABPA
Dimensions in mm				
				
Weight in kg				
Unladen weight	92			
In working order	97			
Authorised maximum. Total weight of the vehicle, the user, the passenger, the accessories and luggage.	260			

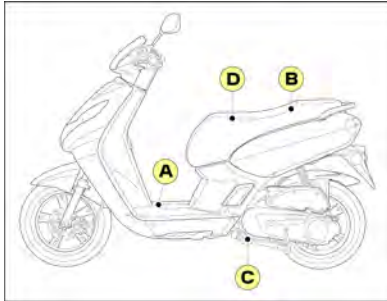
	KISBEE S NAKED 10"		KISBEE S NAKED 12"	
Official type-approval code	K1AARA		K1AARA	
			K1AAPA	K1ABPA
Engine				
Identification	139QMB-K			
Engine type	4-stroke single-cylinder			
Cubic capacity	50 cc			
Bore x stroke in mm	39 x 41.4 mm			
Maximum power	2.6 kW at 7700 rpm			
Maximum torque	3.2 Nm at 7300 rpm			
Cooling	By forced-air circulation			
Fuel supply	Indirect Electronic Injection (EFI)			
Spark plug	NGK CR7HSA			
Lubrication	Pressurised wet sump lubrication			
Exhaust	Catalysed and lambda sensor			
Anti-pollution standard	Euro 5+			
Consumption ^a	1.75 l/100	1.9 l/100	1.75 l/100	1.9 l/100
CO2 emission (On cycle)	41 g/km	44.5 g/km	41 g/km	44.5 g/km
Capacities in litres				
Engine oil	0.8			
Relay box oil	0.12			
Fuel tank	6.3			
Fork oil	0.043			

^a These consumption values are established according to Regulation 134/2014 Appendix VII. They may vary according to driving behaviour, traffic conditions, weather conditions, the load in the vehicle, vehicle maintenance and use of the accessories etc.

GB

		KISBEE S NAKED 10"	KISBEE S NAKED 12"	KISBEE S 45 km/h	KISBEE S 25 km/h
Official type-approval code		K1AARA	K1AARA	K1AAPA	K1ABPA
Tyre dimensions					
Front		110/70-12	120/90-10	110/70-12	
Minimum load index and speed rating			37 B		
Rear		110/70-12	120/90-10	110/70-12	
Minimum load index and speed rating			50 B		
Pressure in bars					
Front	Solo	1.6	1.3	1.6	
	Pillion	1.6	1.3	1.6	
Rear	Solo	1.8	1.6	1.8	
	Pillion	2	1.8	2	
Suspension					
Front		Inverted telescopic fork Ø27 mm Travel: 73 mm	Ø27 mm telescopic fork Travel: 68 mm		
Rear		1 Shock absorber Travel: 68 mm			
Brakes					
Front		1 Ø190 mm disk	1 Ø170 mm disk		
Rear		1 drum Ø110 mm			
Electrical equipment					
Headlights		12V - 35/35W (HS1)			
"Side light" bulbs		LED			
Indicator bulbs		12V - 10W			
Rear light		12V - 21/5W			
Number plate light		12V - 5W			
Battery		Maintenance-free batteries 12V - 6Ah BS Battery BTX7A			

VEHICLE IDENTIFICATION



A Manufacturer's plate.

B Vehicle identification number (V.I.N).

C Engine number.

D Tyre pressure label.

The label affixed under the saddle gives the cold tyre pressures when riding alone and with a passenger.



Temperature variations modify tyre pressure.

The tyre pressure must be checked once a month when cold.

Products to use

Lead-free petrol



4 stroke engine oil

SAE 5W40 Synthetic API SL

Relay box oil

SAE 80W90 API GL4

Brake fluid

Brake fluid DOT 4

Fork oil

10 W hydraulic oil

INFORMATION ABOUT THE INSTRUCTIONS

Specific information is indicated by the following symbols:



Möbius band

Recyclable.

Means that the product or the package can be recycled.



Explosive

The product may explode upon contact with a naked flame, spark or static electricity, or due to the effect of heat, an impact or friction.

Handle and keep away from heat sources and other causes of sparks.



Flammable

The product may ignite in contact with a naked flame, a spark or static electricity, or due to the effect of heat, friction, in contact with the air or in contact with water, releasing inflammable gases.

Handle and keep away from heat sources and other causes of sparks.



Corrosive

The product is corrosive.

It can attack (corrode) or destroy metals.

Contact with the product or splashes of the product may burn the skin and cause lesions to the eyes. Avoid any contact with the eyes and skin. Do not inhale.

GB



Harmful to health
The product can be poisonous in high doses.
It may irritate the skin, eyes and airways.
It may cause skin allergies.
It may cause drowsiness or dizziness. Avoid all contact with the product.



Toxic or fatal
The product can rapidly be fatal. It poisons rapidly, even at low doses. Wear protective equipment. Avoid any contact (oral, skin, inhalation) with the product and wash all exposed areas carefully after use.



Harmful for the environment
The product pollutes.
It has a harmful effect (in the short and/or long term) on organisms in aquatic environments.
Do not dispose of it in the environment.



Do not throw away into a garbage can
One of the product's component is toxic and can be hazardous to environment. Do not throw the used product in the dustbin. Take it back to the trader or to a specific waste disposal site.



People's safety
Operation that can be dangerous for people.
People's safety can be seriously affected if the recommendations are not fully respected.

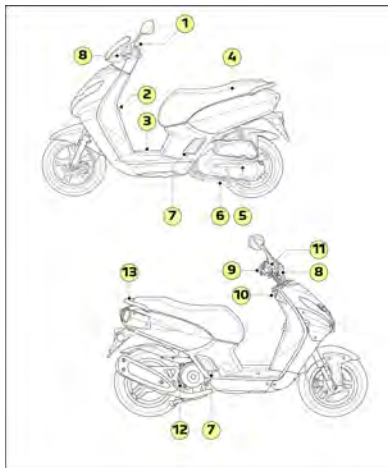


Important
Operation that can be hazardous to the vehicle.
Indicate the specific procedures that shall be followed in order not to damage the vehicle.



Note
Gives key information concerning operation of the vehicle.

DESCRIPTION OF THE VEHICLE



1. Instrument panel
2. Utility hanger
3. Battery / Fuses
4. Fuel tank
5. Kick starter
6. Central stand
7. Folding footrests
8. Brake levers
9. Throttle
10. Ignition switch
11. Brake fluid level
12. Engine oil level
13. Grab handle

INSTRUMENTS

Instrument panel Kisbee S



1. Mechanical speedometer

- Double-scale speedometer showing kilometers and miles.

2. Milometer

3. Direction indicator warning light



If the warning light flashes quickly, there is a fault in the direction indicators.

4. Emissions control system failure warning light.



If the indicator light turns on when riding, you are advised to have the vehicle checked by an authorised dealer.

5. Fuel gauge

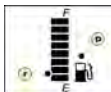
6. Main beam control

Instrument panel Kisbee S Naked



1. Mechanical speedometer

2. Fuel gauge/Fuel reserve gauge



When the fuel tank is full all the segments of the fuel gauge are lit.

The fuel reserve gauge corresponds to the two last segments (r) which show two reserve levels.

- 1st level: the two segments flash.
- 2nd level: the last segment flashes.

When the tank is empty, all the segments on the fuel gauge are off and the "pump" symbol flashes (p).

If all the segments flash, the diagnostic function has detected an anomaly on the fuel gauge system. The system must be checked by an authorised dealer.

3. Min. oil level indicator

- If the oil indicator flashes or stays on, top up the oil in the oil tank.



If the warning light flashes quickly, there is a fault in the direction indicators.

4. Emissions control system failure warning light.



If the indicator light turns on when riding, you are advised to have the vehicle checked by an authorised dealer.

5. Milometer/Tripmeter (TRIP)

- The tripmeter displays and stores the number of kilometres travelled by the vehicle. The machine total kilometres remains in the memory when the battery is disconnected.
- The tripmeter displays and stores the number of kilometres travelled during a given period.

Changing from the total distance display to the daily distance display

- With the ignition on, switching from the total distance display to the daily distance display and vice-versa is done by briefly pressing the control button (A).

Resetting the tripmeter

- The daily counter is reset by pressing more than 3 seconds on the control button (A).

6. Main beam control

7. Maintenance indicator

- The maintenance indicator appears on the display each time the service recommended by the manufacturer is due.

Maintenance frequency
5000 km

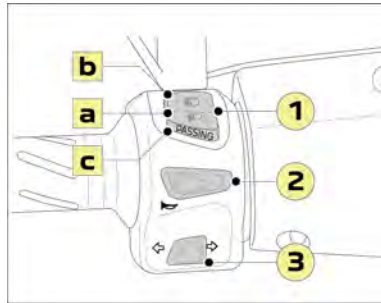
Maintenance counter reset

- Ignition off, hold down the control button (A) and turn on the ignition, the distance unit flashes.
- Release the settings button.
- Hold down the settings button for more than 5 seconds to switch off the maintenance symbol and set the maintenance counter to zero.
- Turn off the ignition.



You are advised to go to an authorised dealer to have the vehicle serviced and the message on the maintenance indicator erased.

CONTROLS



1. Code button/Headlight

The dipped lights/headlights switch has 3 functions:

- Dip beam
- High beam
- Flashing the lights (Passing)

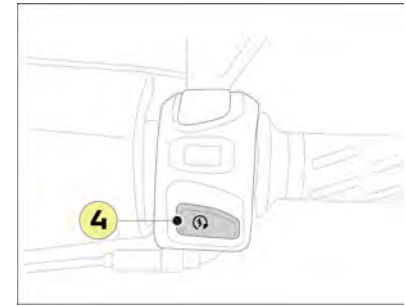
2. Horn switch

3. Indicators switch

To indicate a change of direction, press the switch:

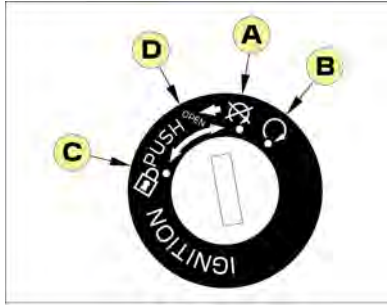
- Either to the right.
- Or to the left.

To stop the indicators flashing, press the switch.



4. Starter switch

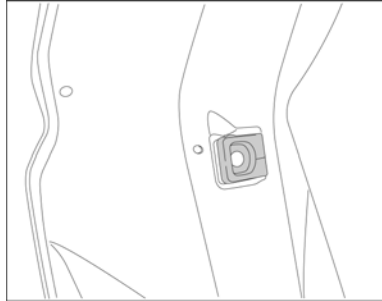
KEY-OPERATED IGNITION SWITCH FUNCTIONS



- A. The engine is off. Power to the electrical circuit is off. The key can be removed.
- B. Power to the electrical circuit is on. The engine can be started. The lighting is switched on. The key cannot be removed.
- C. Power to the electrical circuit is off. The handlebars are turned to the left. Steering can be locked. The key can be removed.
- D. Action of the key in this position allows you to open the saddle with a cable device.

EQUIPMENTS

Utility hanger



The utility hanger is located on the rear shield panel. It can be used to attach a maximum load of 2.5 kg.

Luggage carrier (Accessory)

The rear luggage carrier can bear a maximum load of 7 kg.



To not place luggage on it that is too bulky and may impair the lighting and steering.

Do not exceed the maximum recommended load for each luggage carrier.

Attach luggage firmly to the vehicle, even over a short distance.

CHECKS TO PERFORM BEFORE USE

The user must personally ensure that his vehicle is in good condition. Certain safety elements may show signs of damage even when the vehicle is not used. e.g. prolonged exposure to bad weather can lead to oxidation in the braking system or a pressure drop in the tyres which can have serious consequences. In addition to a simple visual inspection, it is extremely important to check the following points before use.



These checks only take a few minutes and help to keep your vehicle in good condition, for optimum use combining reliability and safety.

If one of the elements in the checklist does not work properly, ask your registered dealer to check it and have it repaired if necessary before using the vehicle.

ADVICE FOR STARTING UP AND DRIVING

Warning

Before using the vehicle for the first time, make sure you are familiar with all the controls and their respective uses. If you are not sure about the functions of any of the controls, your registered dealer can answer your questions and give you any help you may require.



As exhaust fumes are toxic, the engine must be started in a well-ventilated area. It must never be allowed to run in a closed space, even for a short time.

Eco mode

Adopt smooth driving behaviour

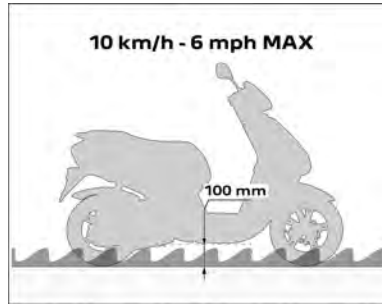
- Turn the acceleration handle gradually, not suddenly.
- Anticipate braking using the engine brake.
- Limit the vehicle load as well as aerodynamic resistance.
- Regularly check the inflation pressure in your tyres, and refer to the label under the seat.
- Avoid heating up the engine while stationary: the engine heats quicker when you drive.
- Have your vehicle serviced according to the manufacturer's maintenance plan.

These attitudes contribute to economising fuel consumption, reducing CO2 emissions and alleviating the background sound of traffic.

Driving on flooded roads



You are strongly advised not to drive on flooded roads as this may seriously damage the engine, transmission and electrical systems on your vehicle.



If you cannot avoid driving through flood water:

- Check that the water depth does not exceed 100 mm, taking into account waves which could be generated by other road users.
- Under no circumstances exceed a speed of 10 km/h.
- Once out of the flooded area, brake gently several times to dry out the brakes as soon as the safety conditions allow it.

Inspection before setting off

Component	Checks
Fuel	<ul style="list-style-type: none"> • Check the fuel level in the tank. • Top up with fuel if necessary. • Check that there is no fuel leak.
Engine oil	<ul style="list-style-type: none"> • Check the level of the engine oil. • If necessary, top up with the recommended oil.
Disk brakes	<ul style="list-style-type: none"> • Check brake operation. • Have an approved dealer check them if they feel soft. • Check brake pad wear. • Check the level of brake fluid in the reservoir.
Drum brakes	<ul style="list-style-type: none"> • Check brake operation. • If necessary adjust the control. • Check the wear on the brake linings. • Correct if necessary.
Lighting, signalling, indicators, horn	<ul style="list-style-type: none"> • Check operation. • Correct if necessary.
Wheels and tyres	<ul style="list-style-type: none"> • Check the tyre wear and condition. • Check the tyre pressures cold. • Correct if necessary.
Throttle	<ul style="list-style-type: none"> • Check the throttle handle turns smoothly and returns correctly to its starting position.
Steering	<ul style="list-style-type: none"> • Check the free rotation of the steering.
Stand	<ul style="list-style-type: none"> • Check that the central stand can be unfolded smoothly.

GB

Starting the engine

For greater safety, place the vehicle on its central stand before starting the engine.

- Turn the ignition key to "ON".
- Ensure that the throttle is in the OFF position.
- Press one of the brake levers while pressing the starter button. Do not press the starter for more than 10 seconds.
- Release the starter button as soon as the engine starts.



If the engine does not start, release the starter button and the brake lever, wait a few seconds and try again.

To kick start, place the vehicle on its central stand.

- Turn the ignition key to "ON".
- Ensure that the throttle is in the OFF position.
- Grip the grab handle with your right hand.
- Operate the kick-start until the engine starts.

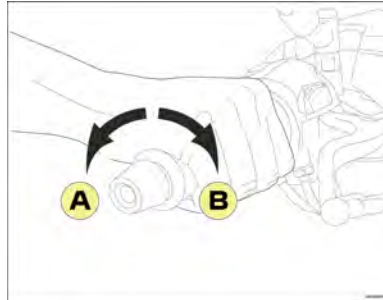
Driving

Starting off

The vehicle is on its stand with the engine running.

- Squeeze the brake lever with your left hand, grip the grab handle with your right hand and push the vehicle forwards to fold up the central stand.
- Sit on the vehicle.
- Release the left brake and turn the throttle slowly with your right hand to start moving.

Accelerating and decelerating



To accelerate, turn the throttle towards (A). To slow down, turn the throttle towards (B).

Braking

The right lever controls the front brake and the left lever controls the rear brake.

For good braking, it is very important to coordinate the following actions:

- Close the throttle.
- Activate the brake system by gradually increasing the pressure.



Using only one brake reduces braking efficiency and can lock the wheel, causing a fall.

Braking suddenly on a wet road or in a bend should be avoided.

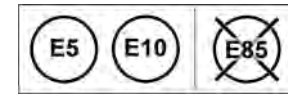
Reduce speed on steep slopes to avoid prolonged braking, as overheating will reduce braking efficiency.

Fuel supply



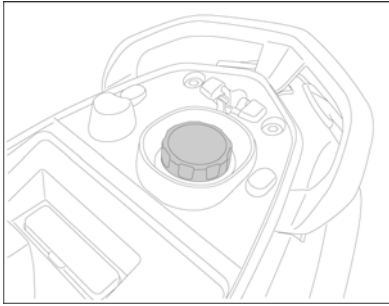
The engine must be switched off in order to fill the fuel tank in complete safety.

A label affixed near the fuel cap reminds you of the type of fuel to use.



The fuel tank is located under the saddle.

- Place the vehicle on the central stand.
- When filling up with fuel, ensure the end of the nozzle is correctly inserted into the filling orifice on the fuel tank.



Switching off the engine and parking

The engine is switched off when at idling speed by turning the ignition key to "OFF".
Place the vehicle on its central stand on flat ground. Each time the vehicle is parked, the steering should be locked and the ignition key removed.



Do not fill the fuel tank to excess: The fuel may expand due to the engine heat or heat from the sun and overflow.

Running in the engine

Running in the engine is essential to guarantee its performance and lifetime.

During the running-in period, you are advised not to overload the engine and to avoid exceeding a higher than normal operating temperature.

From 0 to 500 km

Do not hold the throttle handle open at more than half its distance of travel over a long trip.

From 500 to 1000 km

Do not hold the throttle handle open at more than 3/4 its distance of travel over a long trip.

Once this mileage has been done, the vehicle can be used normally.

SERVICE OPERATIONS

Maintenance advice

Ensure that the servicing schedule for your vehicle is strictly followed to maintain your contractual warranty rights.

A table of inspections for the maintenance schedule is inserted into the maintenance booklet. The registered dealer must add his stamp, the date of servicing and the number of kilometres the vehicle has covered.

In order to maintain maximum safety and reliability of your vehicle, you are advised to have maintenance and repairs carried out by a registered dealer who has the necessary technical training, specific tools and spare parts.

Environment / Recyclable

Worn parts replaced during routine maintenance (mechanical parts, battery, etc.) must be disposed of with specialised bodies.

At the end of its life, the vehicle must be taken to an authorised centre for recycling.

In all cases, comply with the local laws.



Batteries contain harmful substances. They must be disposed of according to the legal requirements and must under no circumstances be thrown away in the household waste.

Cleaning the vehicle



The bodywork is made of plastic parts that can be painted or are shiny. Do not use solvents or cleaning products that are too corrosive.





Do not use high pressure cleaners which may cause water to infiltrate the following parts: seals, bearings and hinges, electrical components such as connectors, contactors and lighting.

GB

Wash the bodywork with soapy water and rinse with generous amounts of clear water.

The vehicle can be dried with a chamois leather. After washing the vehicle, brake several times at low speed to dry out the brakes.



The vehicle should be washed in a place equipped for wastewater collection.

Certain silicon-based products can alter the quality of the paintwork. In case of need or doubt, a registered dealer can advise you on using cleaning products or restoring scratched bodywork.

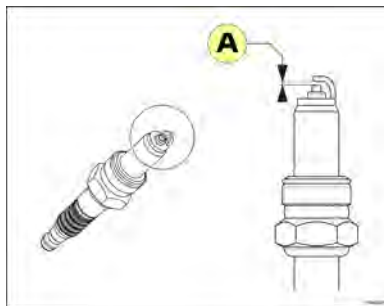
Spark plug inspection or replacement



It is essential to use a resistive spark suppressor and a resistive spark plug in accordance with the manufacturer's recommendations.

The engine must be cold.

- Remove the spark plug access hatch.
- Remove the saddle storage compartment.
- Disconnect the suppressor.
- Remove the spark plug.
- Measure the distance between the electrodes and correct it if necessary (A).



Spark plug
NGK CR7HSA
Electrode gap
0.6 to 0.7 mm

- Fit and screw in the spark plug manually.
- Tighten the spark plug with a spanner.
 - 1/8 - 1/4 turn for a reused spark plug.
 - 1/2 turn for a new spark plug.



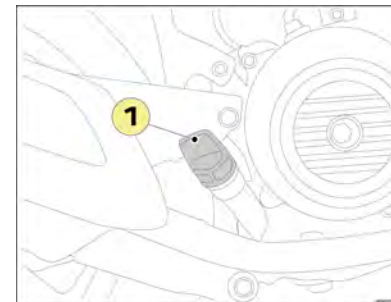
Ensure the suppressor is correctly clipped onto the spark plug. Have the torque quickly checked by a registered dealer.

Checking the engine oil level

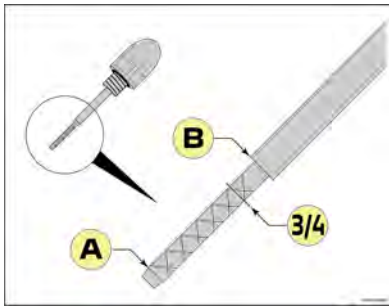


Check the oil level every 1000km / 600Mi or before a long journey.

- To correctly measure the oil level, place the vehicle on the centre stand on flat ground.
- Start the engine, let it run for a few minutes and then stop it.
- After switching off the engine, wait for 5 minutes to allow the engine oil time to return to the oil sump.
- Remove the oil filler cap/gauge (1).



- Wipe the filler cap/gauge using a clean cloth and reinsert it into the filler hole without screwing it up.
- Remove the filler cap/gauge and check the oil level.
- The oil level shall be between the minimum (A) and maximum (B) level marks without exceeding the latter.



- If the oil level is close to the minimum mark or lower, you are advised to immediately top up the level to 3/4 in small amounts using the oil recommended by the manufacturer.



Too much oil will noticeably restrict the vehicle's performance.

Changing the engine oil



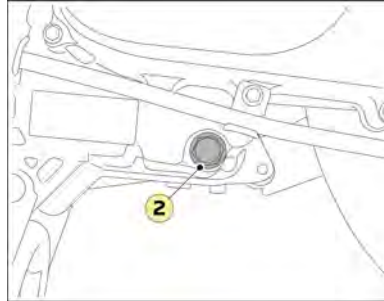
We advise you to go to a registered dealer for draining.



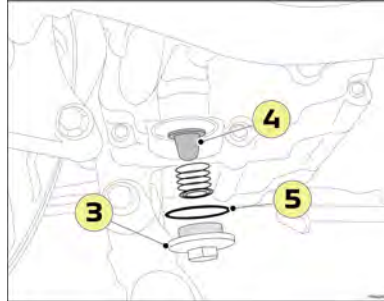
Oil contains substances which are harmful to the environment. Your dealer is equipped to dispose of used oil without endangering the environment and in compliance with current standards.

The engine must be drained when it is warm to allow the oil to run easier.

- Place the vehicle on its central stand on flat ground.
- Put on protective gloves.



- Remove the drainage cap and its seal (2) and allow the oil to drip into a recipient.



- Remove the strainer cap (3) and clean the strainer (4).
- Check and clean the strainer.
- Put back the drainage cap and strainer cap, fitted with a new seal (5).
- Pour the required quantity of oil corresponding to the manufacturer's standards into the filler hole.

Engine oil

SAE 5W40 Synthetic API SL

Quantity

0.8 l

GB

- Start the engine and let it run for a short while.
- Add oil if necessary.
- Check that the oil drain plug is sealed.

Draining the relay box

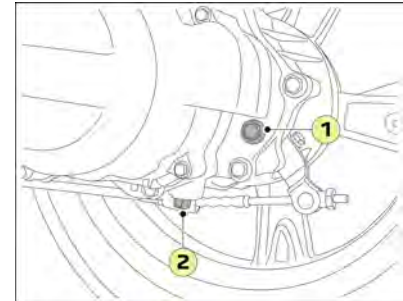


We advise you to go to a registered dealer for draining.



Oil contains substances which are harmful to the environment. Your dealer is equipped to dispose of used oil without endangering the environment and in compliance with current standards.

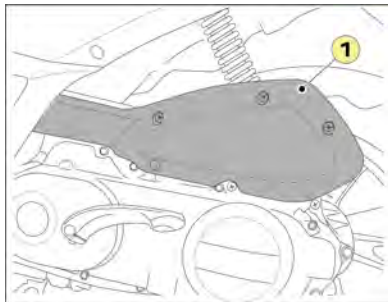
The gearbox must be drained when the engine is warm so that the oil will run easier.



- Place the vehicle on its central stand on flat ground.
- Place a container under the drain port.
- Remove the relay box filler cap (1).
- Remove the drainage cap and its seal (2) and allow the oil to drip into a recipient.
- Re-install the plug with a new seal.
- Pour the required quantity of oil corresponding to the manufacturer's standards into the filler hole.
- Fit the filler cap.

Relay box	SAE 80W90 API GL4
Quantity	0.12 l

Replacing the air filter

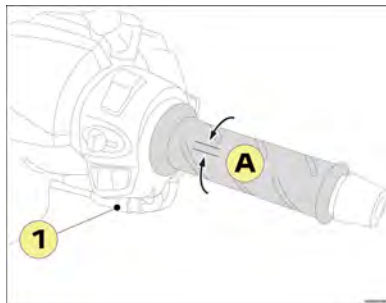


- Remove the air filter cover (1).
- Remove the air filter.
- Clean inside the air filter box.
- Fit a new air filter.
- Re-fit the cover.

Throttle cable play

The play in the throttle control must be 3 to 5 mm on the handle (A).

If the play is incorrect, use the setting nut to adjust it (1).



Tyres

Tyre pressure



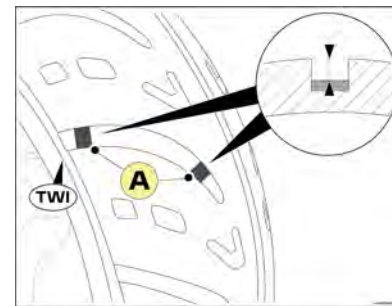
The tyre pressure must be checked once a month when cold.

Incorrect pressure causes abnormal wear and affects road behaviour, thus making driving dangerous.

		Tyre pressures	
		Front	Rear
Tyres 10"	Solo	1.3 bars	1.6 bars
	Pillion	1.3 bars	1.8 bars
Tyres 12"	Solo	1.6 bars	1.8 bars
	Pillion	1.6 bars	2 bars

Tyre wear

If the wear limit on the tread is reached (A), you are advised to go to a registered dealer to change the tyres.



When replacing tyres, you are advised to mount tyres of the same brand and equivalent quality. In case of puncture, it is forbidden to mount an inner tube in a tubeless tyre.



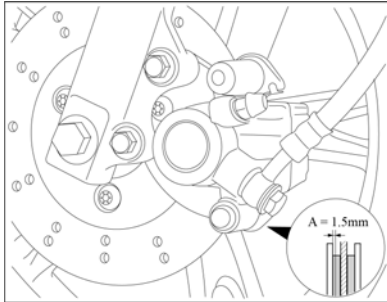
Tyres contain substances that are harmful to the environment. Your dealer is equipped to dispose of used tyres without endangering the environment in compliance with current standards.

Brake inspection



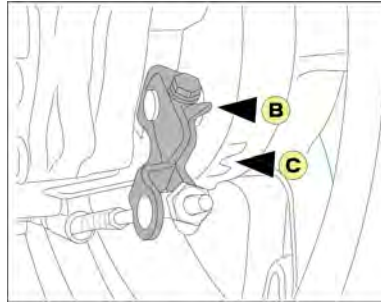
We advise you to visit a registered dealer for the replacement of these components.

Front brake pad wear



If one of the 2 brake pads is worn down to the minimum dimensions (A), the 2 brake pads must be changed.

Rear brake pad wear



Actuate the brake control lever and check the position of the wear mark on the cam tierod (B) compared to the mark (C) on the engine housing.

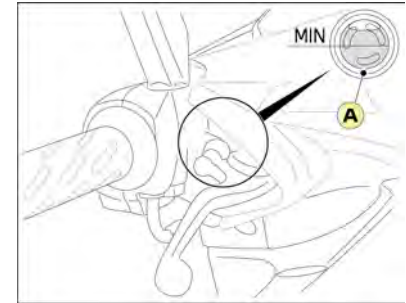
If the cam tierod mark is lined up with or passes the wear mark on the engine housing, the brake lining must be replaced.

Brake fluid



The brake fluid levels must be checked regularly through the braking unit inspection window (A).

If the level is near the minimum mark, it is advisable to take the vehicle to an approved dealer as soon as possible to check the brake system and refill it if necessary.



Brake fluid	DOT 4
-------------	-------

Battery



Make sure you check that the battery is disconnected before performing any operations on it.

Battery power leads must never be disconnected while the engine is running.

To avoid damage to the electronic circuit, do not charge the battery if it is connected to the vehicle.



The sulphuric acid contained in the battery electrolyte can cause serious burns.

Avoid all contact with the skin, eyes or clothing and always protect your eyes when working near the battery.

In case of leakage, you are advised to consult a registered dealer who is equipped to replace and dispose of batteries without endangering nature and the environment.



A battery produces explosive gases. Keep the battery away from sparks, flames, cigarettes, etc...

It should be charged in a well-ventilated area.

Extended periods of immobilisation and storage



If the vehicle is not used for an extended period, the battery will slowly discharge naturally or due to its electronics or certain accessories and must thus be regularly charged.

If the vehicle is not used for a period of 1 month or longer, the battery charge must be preserved:

- Using a maintenance charger (if the vehicle is not used for a long period).
- If not, by disconnecting it from the vehicle (if the vehicle is not used for a period of less than 2 months).



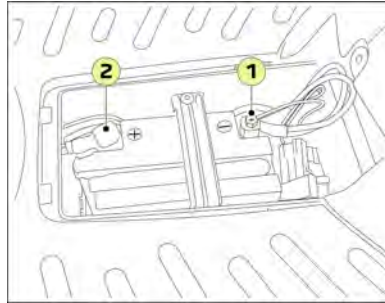
If these recommendations are not followed, the battery may go into deep discharge. In this case the manufacturer's warranty will be void.

Removal of the battery

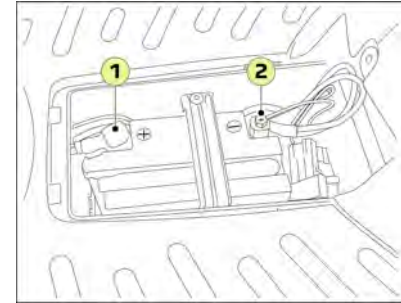
Remove the battery access door.

Disconnect the battery in the following order:

1. The negative terminal.
2. The positive terminal.



1. The positive terminal.
2. The negative terminal.



Battery charge

The battery must be charged in a well-ventilated area with a suitable charger that can feed a tenth of the battery capacity to avoid premature destruction. You are therefore advised to go to a registered dealer to carry out this operation.

Batteries contain sulphuric acid. Do not allow it to come into contact with skin or eyes. While the battery is charging, it can release explosive gases. Keep sources of sparks, flames and incandescent products away from it.

Maintenance-free batteries



A maintenance-free battery must never be opened for topping up.

- Disconnect and remove the battery.
- Charge the battery to 100% beforehand.
- Use a maintenance charger or charge monthly.
- Before restarting, the battery must be charged to 100%.

Installing the battery

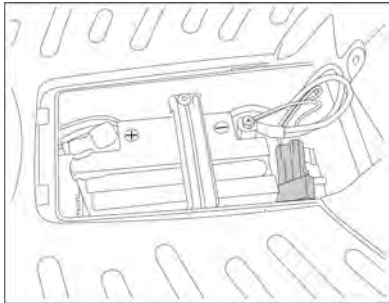
Connect the batter in the following order:

FUSES

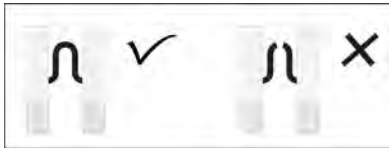
Main fuse: 15A.

Electrical equipment: 10A.

Accessories fuse: 10A.



Find the faulty fuse by looking at the condition of its filament.



If a fuse often blows this is usually a sign of a short circuit in the electrical circuit. You are advised to have the system checked by a registered dealer.

Before changing a fuse, you must find the reason for the fault and correct it.

Always replace the faulty fuse with a fuse of the same rating.



You are advised to switch off the ignition before changing a fuse and always to replace it with a fuse of the same rating. If you do not do so, this may lead to damage in the electrical circuit or even a fire.

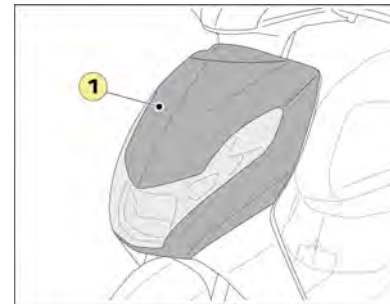
BULB REPLACEMENT

Headlight bulb/Indicator bulbs

- Remove the front fairing (1).



You are advised to contact a registered dealer to have this operation carried out.



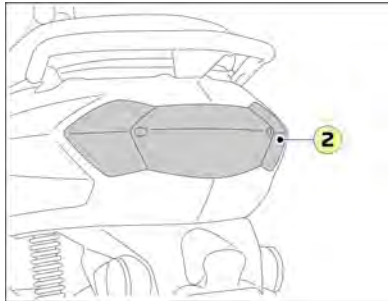
Under certain climatic conditions (low temperatures, humidity). The presence of mist on the inside of the headlight glass is normal. It disappears a few minutes after the lights are switched on.

Headlight bulb	12V - 35/35W (HS1)
----------------	--------------------

GB

Rear light and indicator bulbs

- Remove the 2 screws securing the rear light lens (2).



Rear light bulb

12V - 21/5W

Indicator bulbs

12V - 10W

HEADLIGHT ADJUSTMENT

The headlight is adjusted using a screw which can be accessed from the rear shield panel (A).



GB

Peugeot Motocycles recommends



Quality management system certified ISO
9001 by UTAC



Peugeot Motocycles SA
Rue du 17 Novembre
F-25350 Mandeure

Tél. +33(0)3 81 36 80 00

RCS Belfort B 875 550 667

www.peugeot-motocycles.fr
www.peugeot-motocycles.com



Dans un souci constant d'amélioration Peugeot Motocycles se réserve le droit de supprimer, modifier ou ajouter toutes références citées.
DQ/APV du 02/2024 (photos non contractuelles).



KISBEE
KEEP IT SIMPLE.

KISBEE



GUIDE D'UTILISATION EN LIGNE
ONLINE USER'S GUIDE